

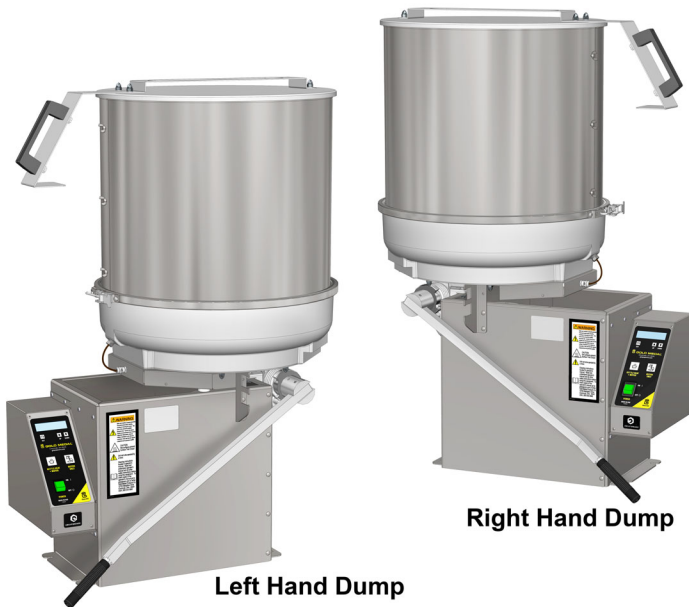


GOLD MEDAL® PRODUCTS CO.

Mark 10 Corn Treat Cooker/Mixer

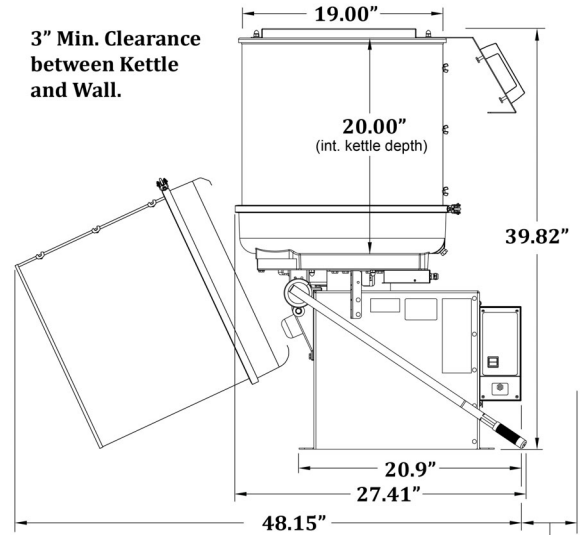
Model No. 2410-00-200 and 2410-00-210

Specifications



Left Hand Dump

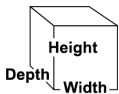
Right Hand Dump



3" Min. Clearance between Kettle and Wall.

6" Recommended Min. Clearance between Wall and Cntl Box for Service.

General RH Unit shown above for dim. reference.



Overall Dimensions:

- Width:** 27.41" (69.7 cm)
- Depth:** 20.2 (51.3 cm)
- Height:** 39.82" (101.2 cm)

Reference drawing shown for additional dimensions and clearances required.

Electrical - Domestic

- 120/208 OR 120/240V
- 5400 WATTS 60 Hz
- (NEMA L14-30P) Plug

Unit designed to operate on single phase, 30 AMP, 4 wire supply (2 Hot, 1 Neutral, 1 Ground). Wall receptacle is supplied with unit.

Description:

- 2410 (200)** - Right Hand Dump
- 2410 (210)** - Left Hand Dump

Features:

- 10 Gallon Capacity (3-4 batches/hour)
- Membrane Keypad Control with 2-line digital display
- Cast Aluminum Kettle with Stainless Steel Drum

Plug Type:



Agency Approvals:



Gold Medal Products Co.
10700 Medallion Drive, Cincinnati, OH 45241

Ph: (513) 769-7676, (800) 543-0862; Fax: (513) 769-8500
gmpopcorn.com info@gmpopcorn.com